

Jet Fueler 2.0

by Vape-Jet

Semi-Automatic
Cartridge Filling Machine



Jet Fueler 2.0

by Vape-Jet

Jet Fueler is a semi-automatic fluid dispensing machine specifically designed for use with highly viscous oils commonly found in the THC and CBD manufactured products industries.



Three independent digital temperature control zones protect product quality and automatically regulate the fluid viscosity.



Pharmaceutical grade syringe pump with precision machined mechanical ceramic valve ensure accurate and repeatable dosing.



Configurable pump draw speed, dispense speed, dispense amount, draw dwell, pump dwell, backoff position, and backoff dwell.



Nitrogen pressurized product reservoir reduces oxidation and enables the lowest temperature dispense of any filler available.



Touch-screen interface for configuring pump, heaters, and dispense profile saving.



Clean-in-place functionality for quick clean-up and drastically reduced maintenance.



Fluid path made entirely from food-safe PTFE or Viton, borosilicate, stainless steel, and ceramic.



Remote login capability for product support and remote software updates.



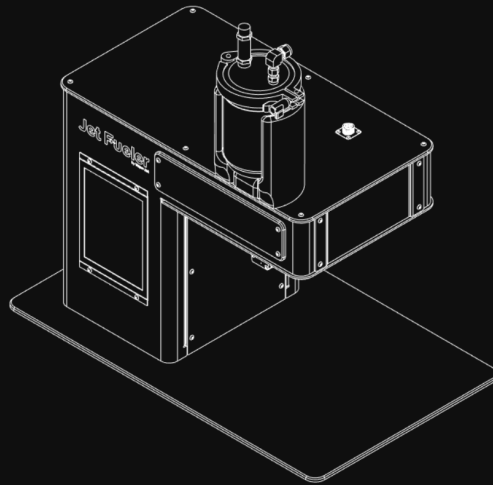
Foot-pedal dispense switch allows the operator to use both hands for fast positioning.



1 year warranty, support, and software updates included with purchase, and renewable.

Jet Fueler 2.0

by Vape-Jet



Input Voltage	110V-125V
Wattage	100W (Idle) - 800W (Heat-Up)
Plug Style	NEMA 5-15 (Type B)
Network Interface (Not Required)	RJ-45 Ethernet Plug (DHCP)
Gas Requirements	Food-Grade Nitrogen
Nitrogen Tank Size	20 cu ft tank (not included) for 60+ days of use
Pump Type	Syringe Pump /w Mechanical Valve
Pump Drive	DC Stepper Motor, self lubricating and wear compensating lead nut/screw, home sensor.
Pump Speed	Adaptive variable speed dispense. Minimum 300ms dispense stroke.
Pump Accuracy @ 30% Stroke	<.1%
Pump Repeatability @ 30% Stroke	<.1%
Device Output Port	Luer Lock
Reservoir Capacity	1 Liter
Reservoir Temp Range	20°C - 90°C / 68°F - 194°F
Chamber Temp Range	30°C - 80°C / 86°F - 176°F
Luer Adapter Temp Range	30°C - 90°C / 86°F - 194°F
Max Fill Rate	4000 - 6000 per working day
Height / Width / Depth	660x400x670mm / 26x15.75x26.3in
Weight	25kg / 55lb
Input Type	203mm / 8" Touch-Screen Interface & Foot-Pedal